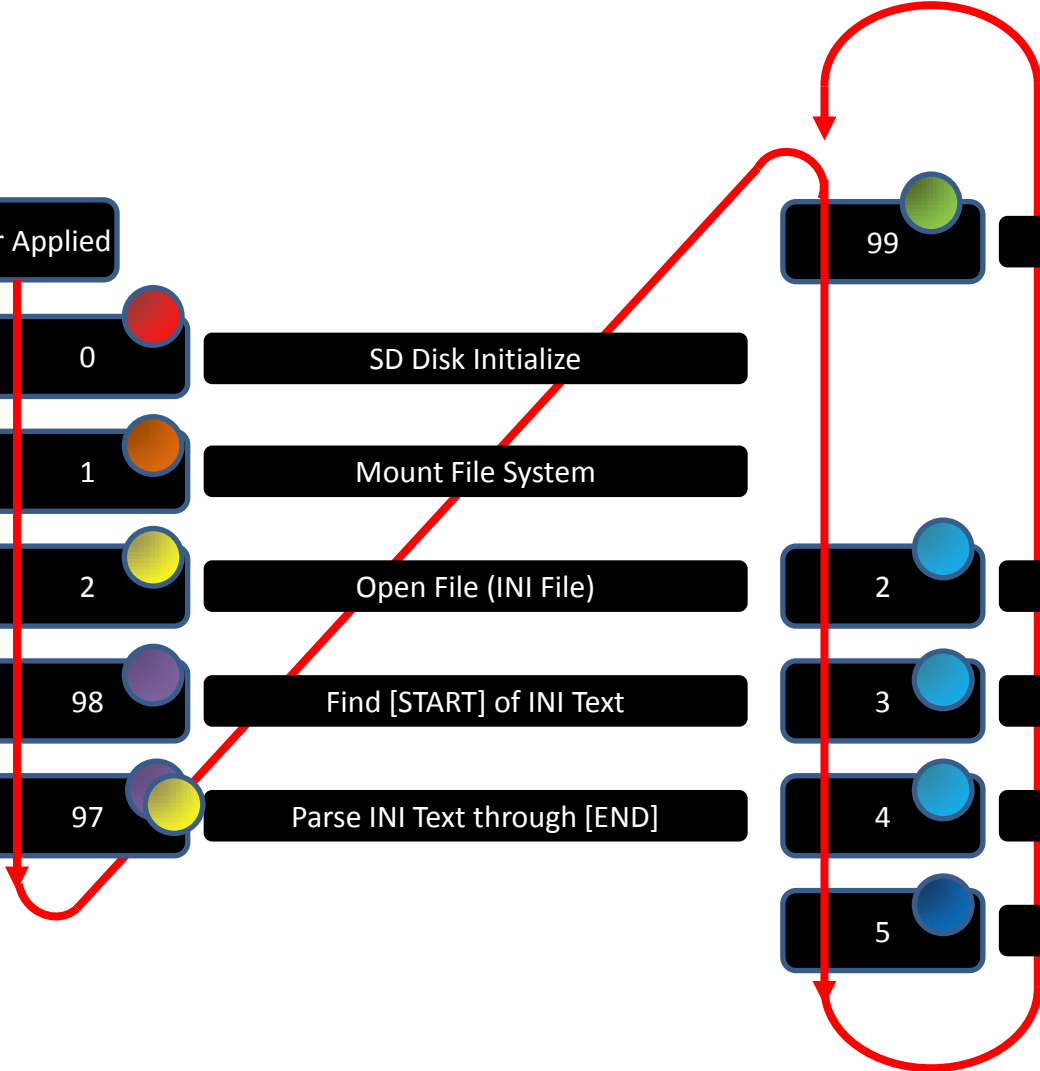
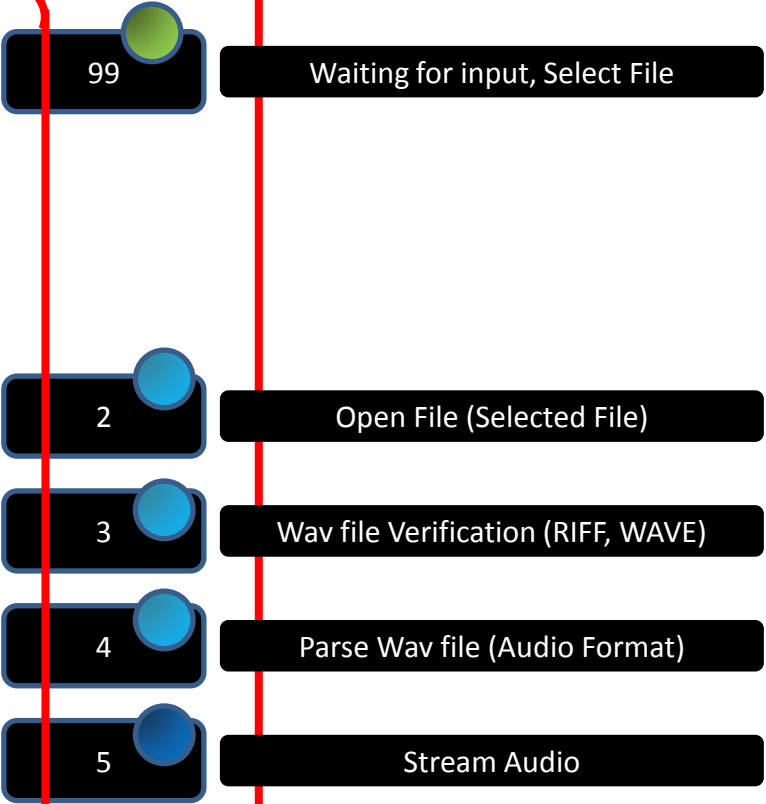
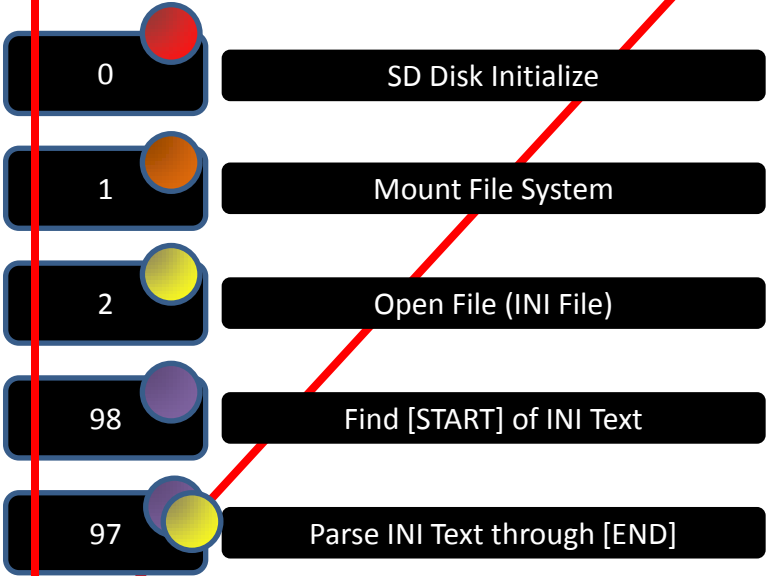
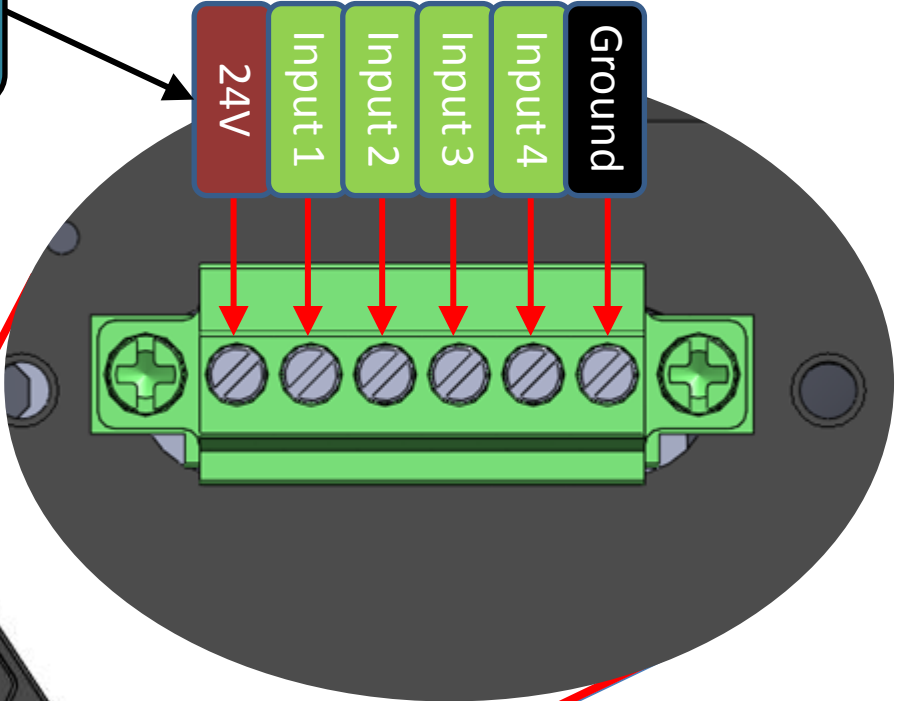


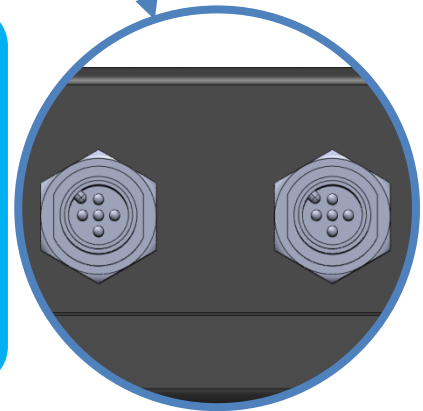
Status Light

Power Applied

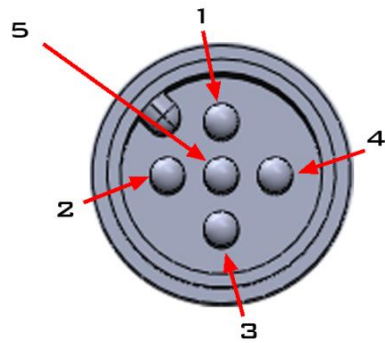
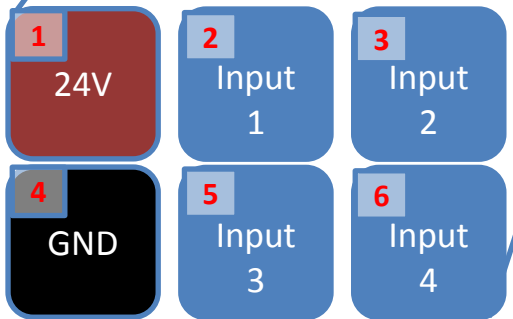
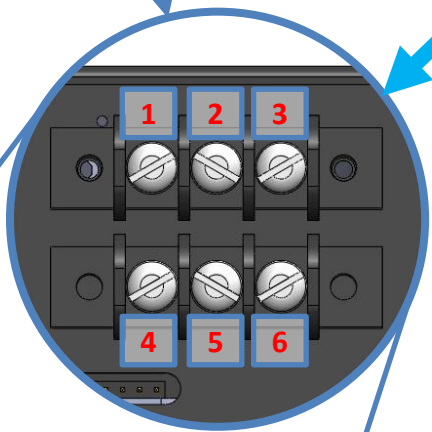


Reverse Polarity  
protected by Diode on  
Ground pin





Reverse Polarity protected by Diode on Ground pin`  
**\*WARNING\***  
Pin 1 on each plug is connected to each other internally. DO NOT apply different voltages to each Pin 1.





## Config.ini

[start config]

//input filenames, max 15 characters

	Input 1	Input 2	Input 3	Input 4
input 1 = 1.wav	1	0	0	0
input 2 = 2.wav	0	1	0	0
input 3 = 3.wav	1	1	0	0
input 4 = 4.wav	0	0	1	0
input 5 = 5.wav	1	0	1	0
input 6 = 6.wav	0	1	1	0
input 7 = 7.wav	1	1	1	0
input 8 = 8.wav	0	0	0	1
input 9 = 9.wav	1	0	0	1
input 10 = 10.wav	0	1	0	1
input 11 = 11.wav	1	1	0	1
input 12 = 12.wav	0	0	1	1
input 13 = 13.wav	1	0	1	1
input 14 = 14.wav	0	1	1	1
input 15 = 15.wav	1	1	1	1

//loop the playback, true/false  
repeat = true

//input level switched "high", or switched "low"  
input level = low

[end]

### Assign Files to each input combination

.WAV file format encoding  
8 bit Data  
Single Channel (mono)  
Up to 44K samples / sec

Determines whether to loop the audio file if the input is still active when the playback is complete.

Switched "low", means the input needs to be pulled to 0V to be "on"  
Switched "high" mean the input needs to be pulled to 24V to be "on"  
All 4 inputs are set together